

# Tips and Tricks

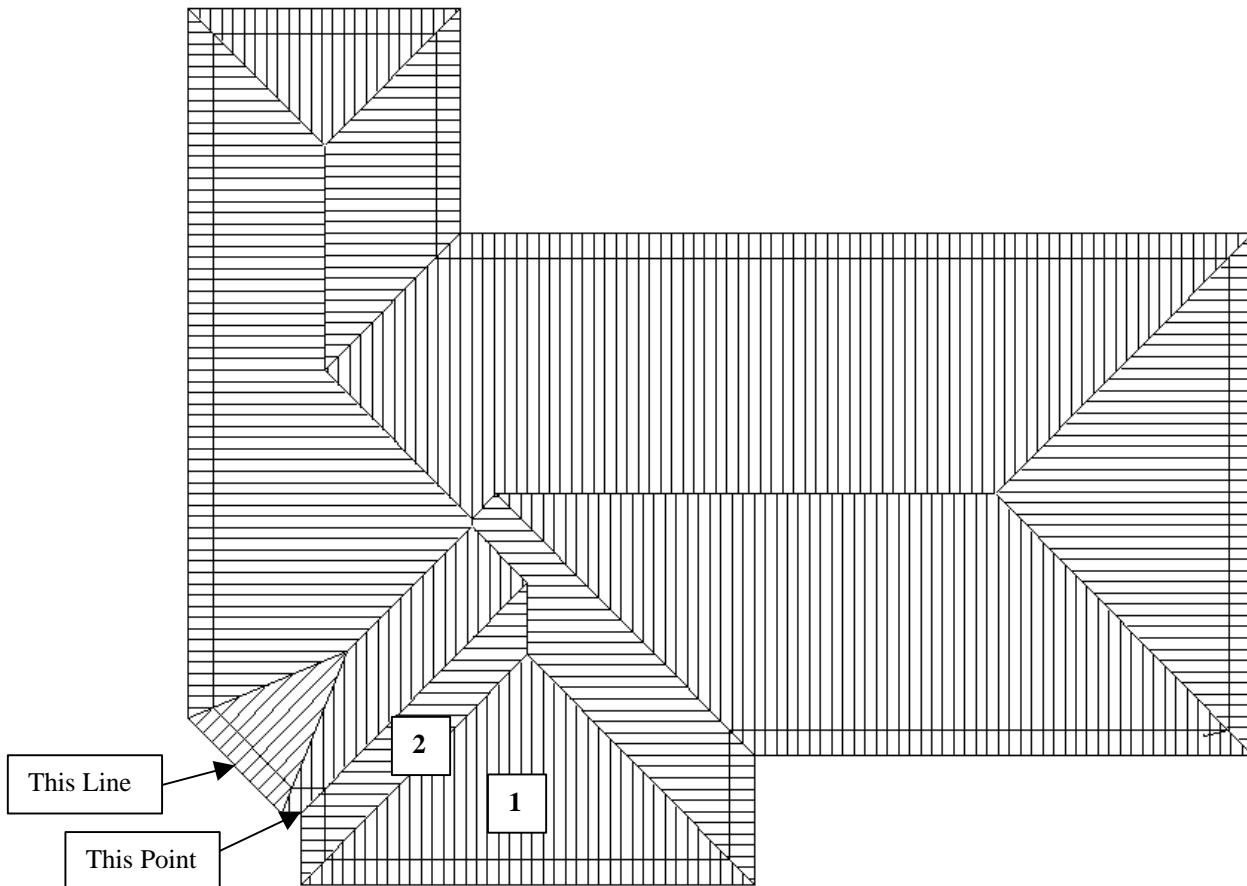
1 of 4

*Items drawn from Applicad's Customer Service file*

**Number: 12**

**Objective: Create a second Angled Section**

**Commands used: Copy-Line  
Trim-Line**



The first step is to draw the roof up without the second angled hip, like the roof above. From here we need to delete roof planes **1** and **2**.

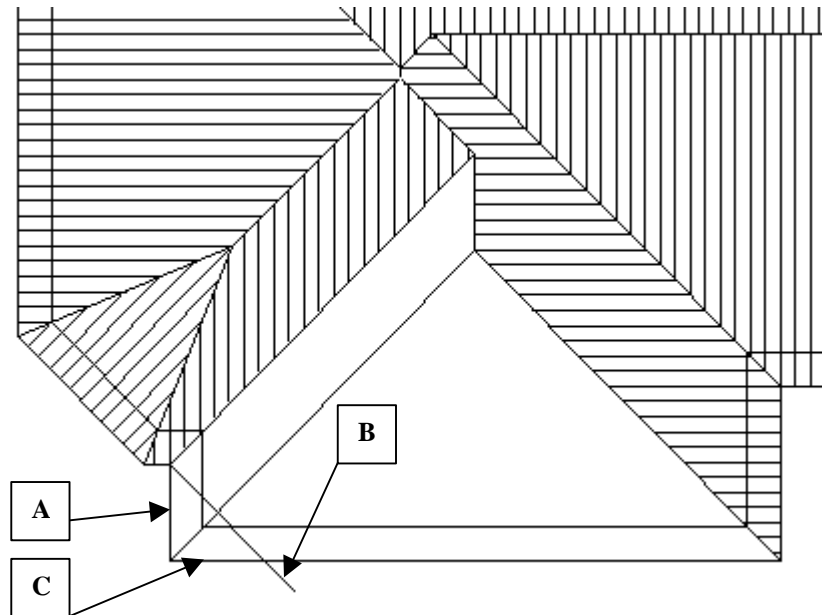
*Information in this note is applicable to Applicad's Steep Roof Products:  
**Sorcerer, Roof Magician and Roof Wizard.***

# Tips and Tricks

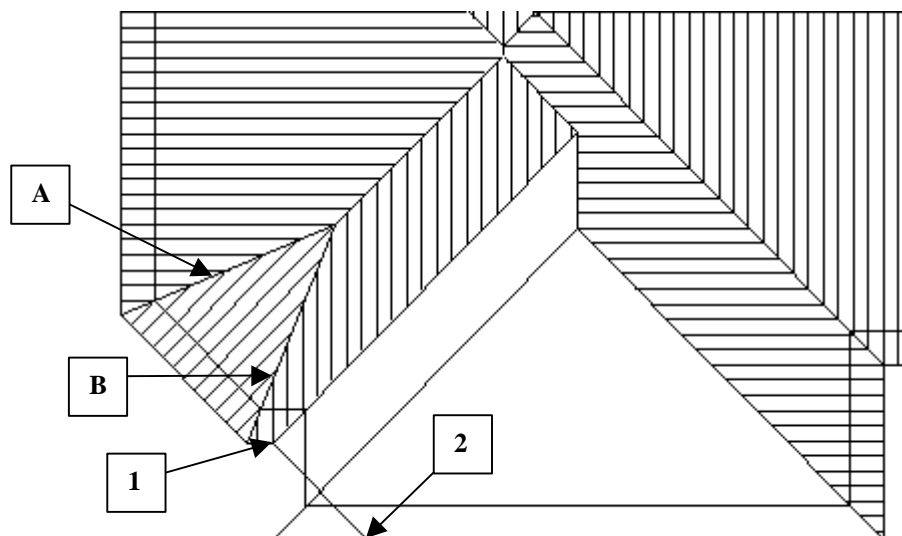
2 of 4

*Items drawn from Applicad's Customer Service file*

Now go to **Mod-Roof | Advanced | Copy-Line** and select the fascia line of the angled hip. You will then be prompted down the bottom to place the selected line. **“Snap”** (Middle mouse button, or Shift and left mouse button), to the point where the valley line meets the fascia line. Your roof should look like the one below.



From here **Delete** fascia line **A**. Then go to **Mod-Roof | Advanced | Trim line** and trim fascia line **B** to fascia line **C**, and then **C** to **B**. Your roof should look like the following.



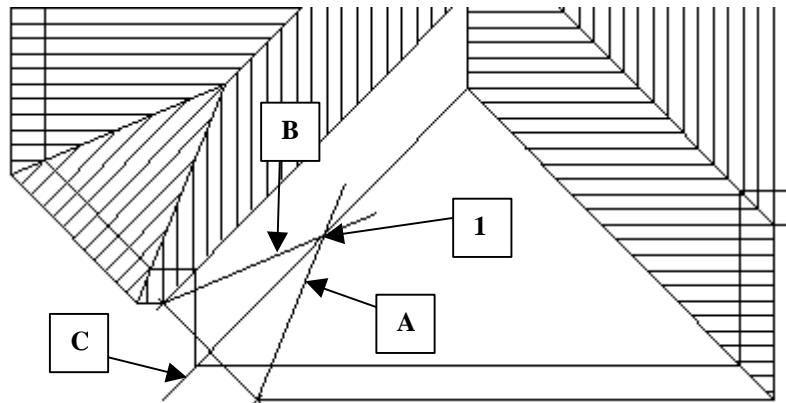
*Information in this note is applicable to Applicad's Steep Roof Products:  
**Sorcerer, Roof Magician and Roof Wizard.***

# Tips and Tricks

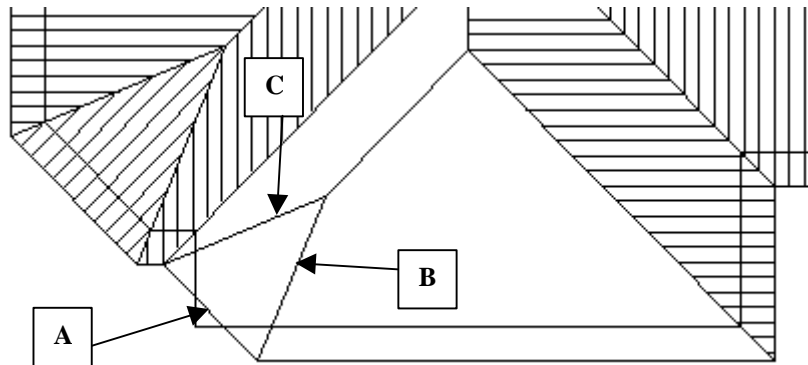
3 of 4

*Items drawn from Applicad's Customer Service file*

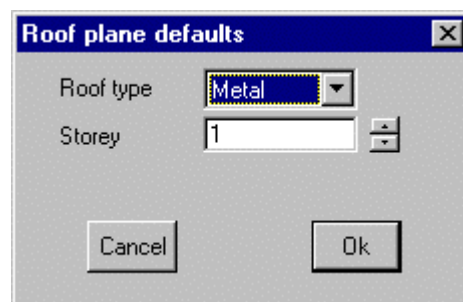
From here select **Mod-Roof | Advanced | Copy-Line** and select line **A** and “**Snap**” it to point **1**. Then select line **B** and “**Snap**” it to point **2**.



From here trim line **A** to line **B**, Line **B** to line **A**, and finally line **C** to point **1** by “**snapping**” to the point.



Finally we select **Mod-Roof | Advanced | Ins-Plane** and insert the three planes that are missing by selecting the lines that bound each plane. For example select line **A**, **B** and **C** and the following dialog box will appear, showing that we have created a plane.



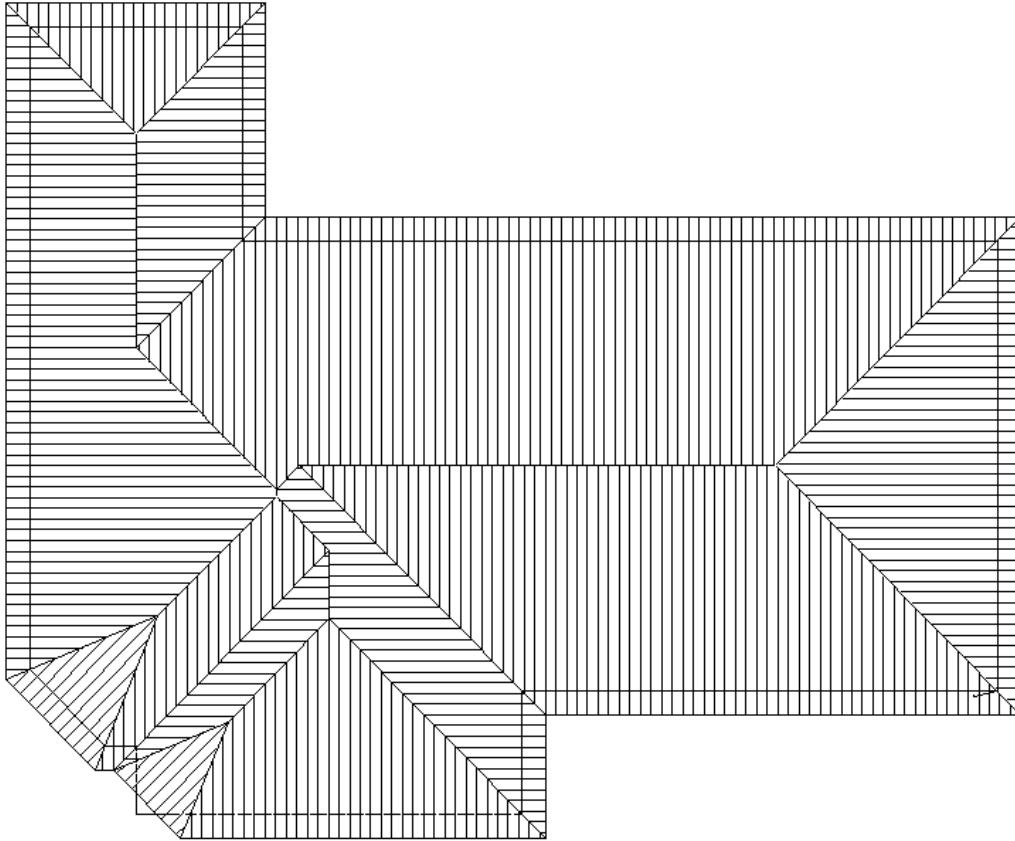
Click **OK** on this box and the plane will be inserted.

Follow the same method for the remaining two planes and your roof is finished.

*Information in this note is applicable to Applicad's Steep Roof Products:  
**Sorcerer, Roof Magician and Roof Wizard.***

# Tips and Tricks

*Items drawn from Applicad's Customer Service file*



*Information in this note is applicable to Applicad's Steep Roof Products:  
**Sorcerer, Roof Magician and Roof Wizard.***