

Tips and Tricks

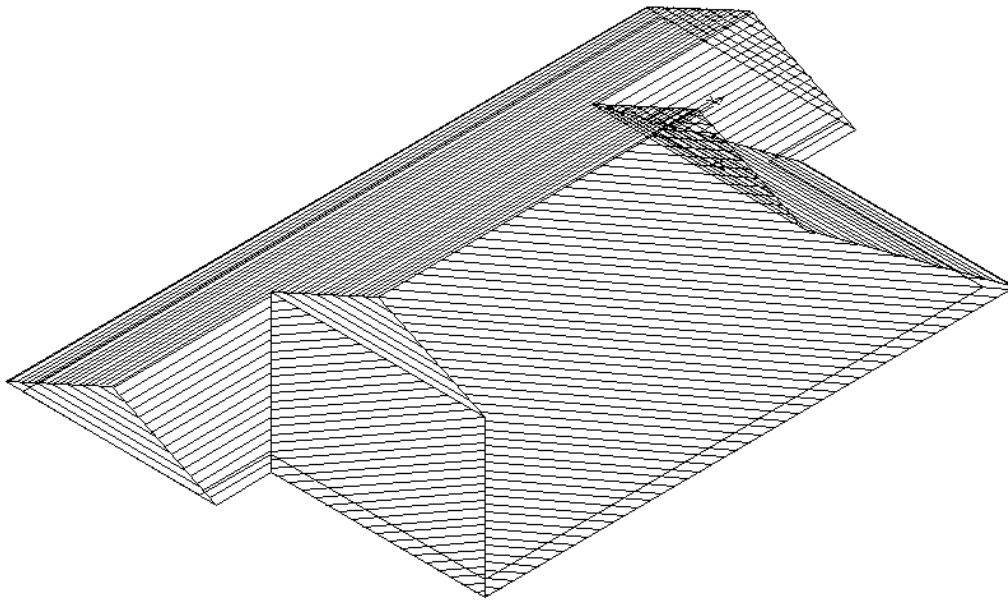
1 of 4

Items drawn from Applicad's Customer Service file

Number: 10

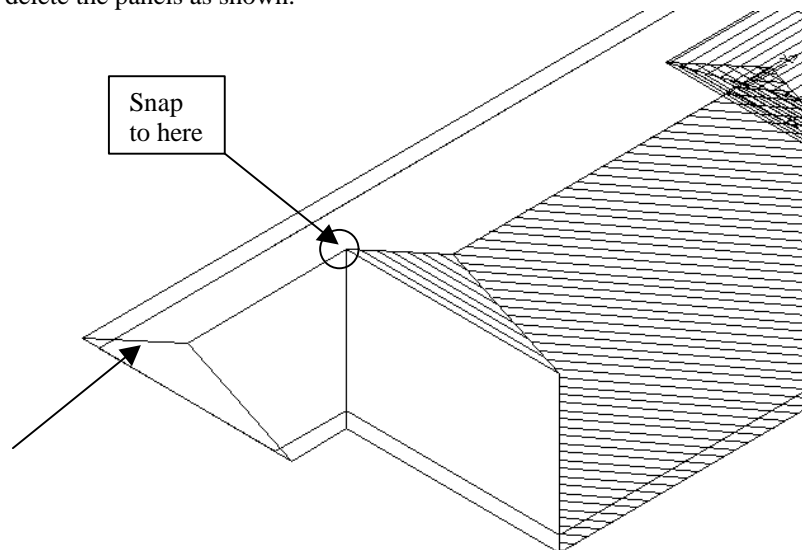
Objective: Modify Dutch Gable

Commands used: Copy-Line
Trim-Line
Divide-Line
Ins-Line



First draw up the right hand side of the roof to look like the above drawing, including the dutch gables.

From here delete the panels as shown.



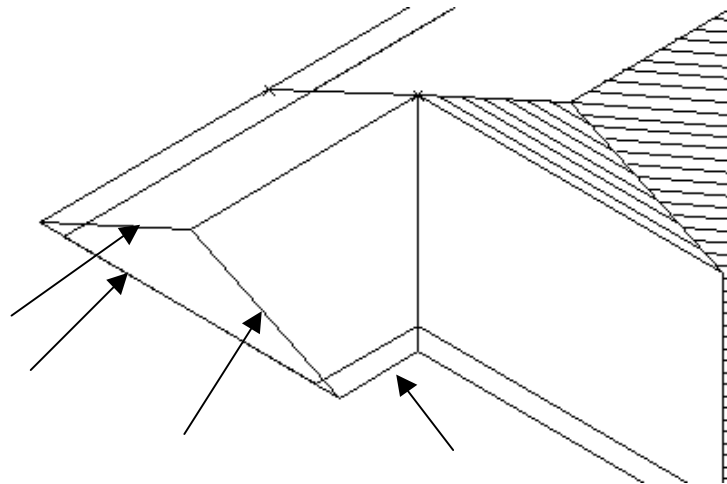
Next select **Mod-Roof | Advanced | Copy-Line** and select the left hand barge of the gable, and snap to the bottom of the left hand barge of the dutch gable.

*Information in this note is applicable to Applicad's Steep Roof Products:
Sorcerer, Roof Magician and Roof Wizard.*

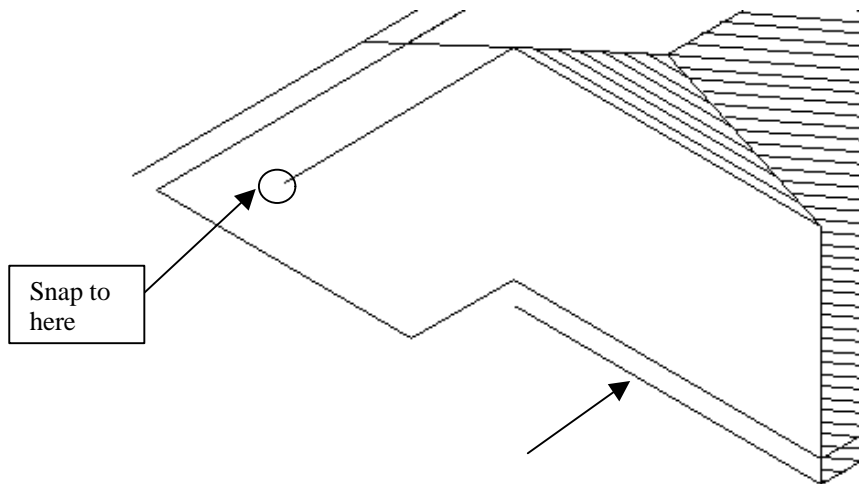
Tips and Tricks

2 of 4

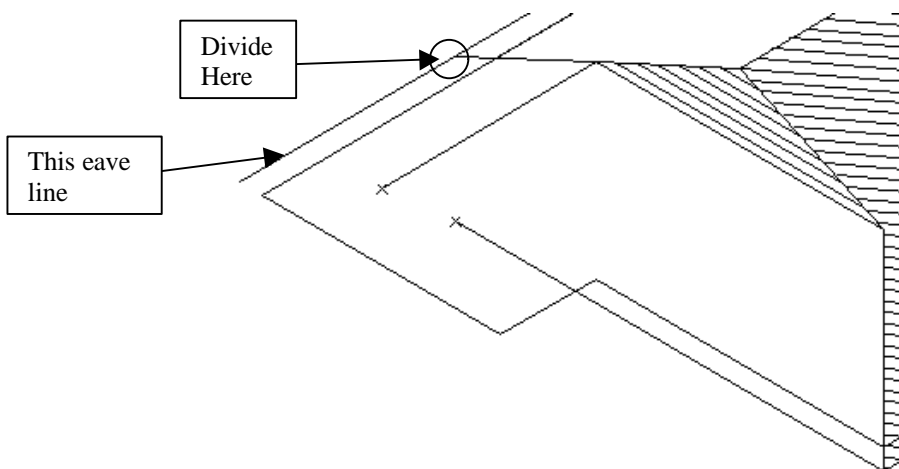
Items drawn from Applicad's Customer Service file



Next delete the gable lines, the valley line and the eave line from the valley line to the gable line.



Next, use the **Mod-Roof | Advanced | Trim-Line** command and trim the eave line to end of the ridge line by snapping to the end of the ridge.



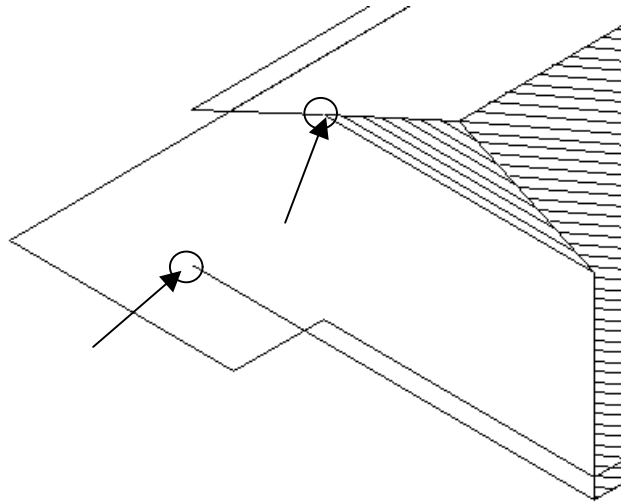
Next use the **Mod-Roof | Advanced | Divide-Line** command and select the eave line, and divide it at the point where the barge line intersects it. Then delete the unwanted eave line.

*Information in this note is applicable to Applicad's Steep Roof Products:
Sorcerer, Roof Magician and Roof Wizard.*

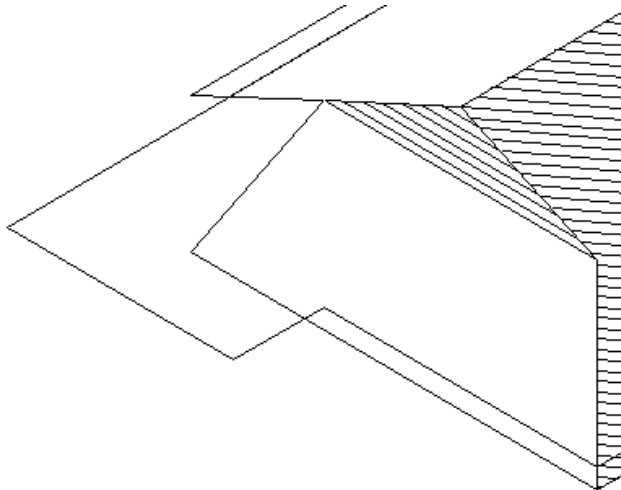
Tips and Tricks

3 of 4

Items drawn from Applicad's Customer Service file



Now using the **Mod-Roof | Advanced | Ins-Line | Free** command, snap to the end of the free eave line and then snap to the point at the bottom left hand corner of the dutch gable.



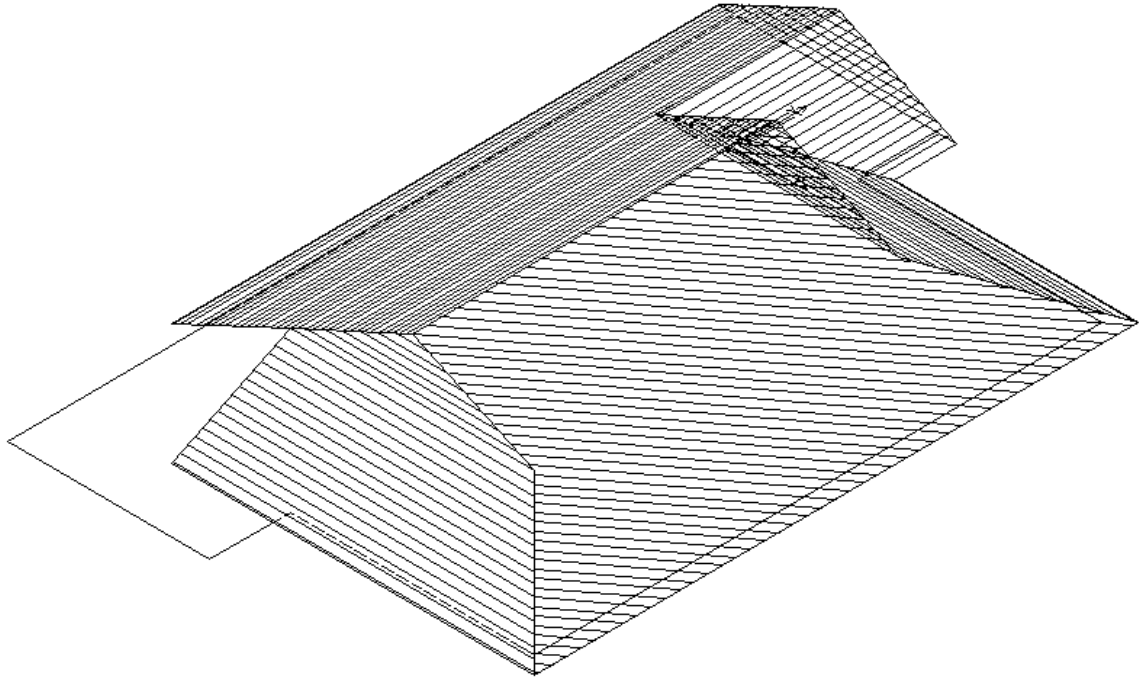
From here use the **Mod-Roof | Advanced | Ins-Plane** and insert the two planes, that are missing.

*Information in this note is applicable to Applicad's Steep Roof Products:
Sorcerer, Roof Magician and Roof Wizard.*

Tips and Tricks

4 of 4

Items drawn from Applicad's Customer Service file



Your drawing should look like the one above. If you want to, you can delete the unwanted wall lines.

*Information in this note is applicable to Applicad's Steep Roof Products:
Sorcerer, Roof Magician and Roof Wizard.*